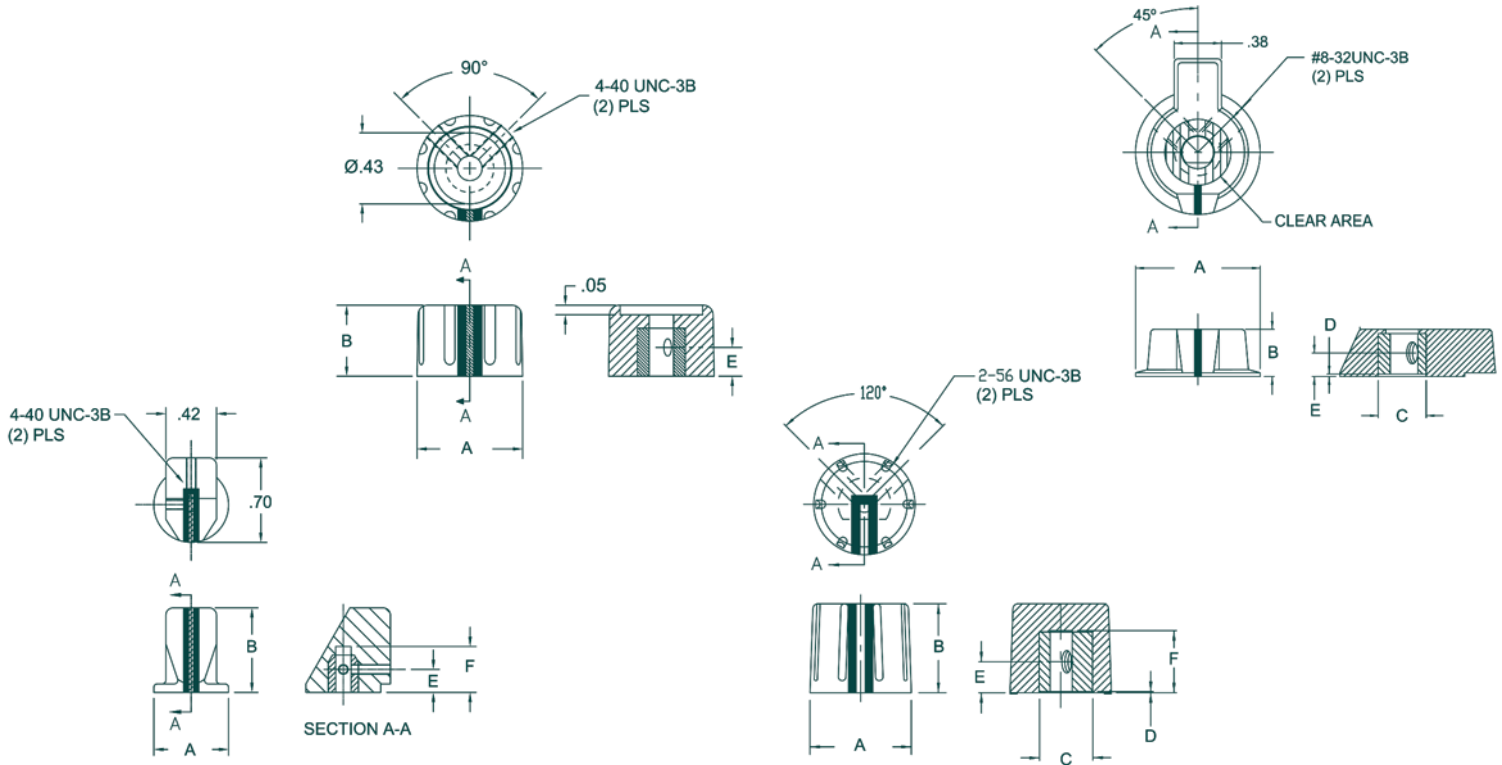


# TRANSILLUMINATED

## CMK SERIES



### CMK SERIES

Part Number	Style Number	A Base Diameter	B Height	C Nut Clearance Diameter	D Nut Clearance Depth	E Set Screw	F Shaft Hole Height	N Number of Flutes	Set Screws
29-01060-0	8950	0.62	0.70	N/A	N/A	0.19	0.38	N/A	MS51021-101 & 103
29-01063-0	8930	0.55	0.37	N/A	N/A	0.15	THRU	8	MS51021-101
29-01065-0	8940	0.40	0.43	0.38	0.01	0.15	0.26	6	MS51021-9
29-01068-0	3020	1.00	0.38	0.38	0.03	0.19	THRU	N/A	MS51021-133

#### Design Variations

- Set screw locations can vary
- Markings and color can vary (see page 4T)
- Nut clearance depth and diameter can vary
- See part number system for shaft hole designation

Detailed drawings are available for each style

All of our backlighted knobs can be manufactured for night vision use. Our night vision knobs meet NVIS "Green A" requirements.

