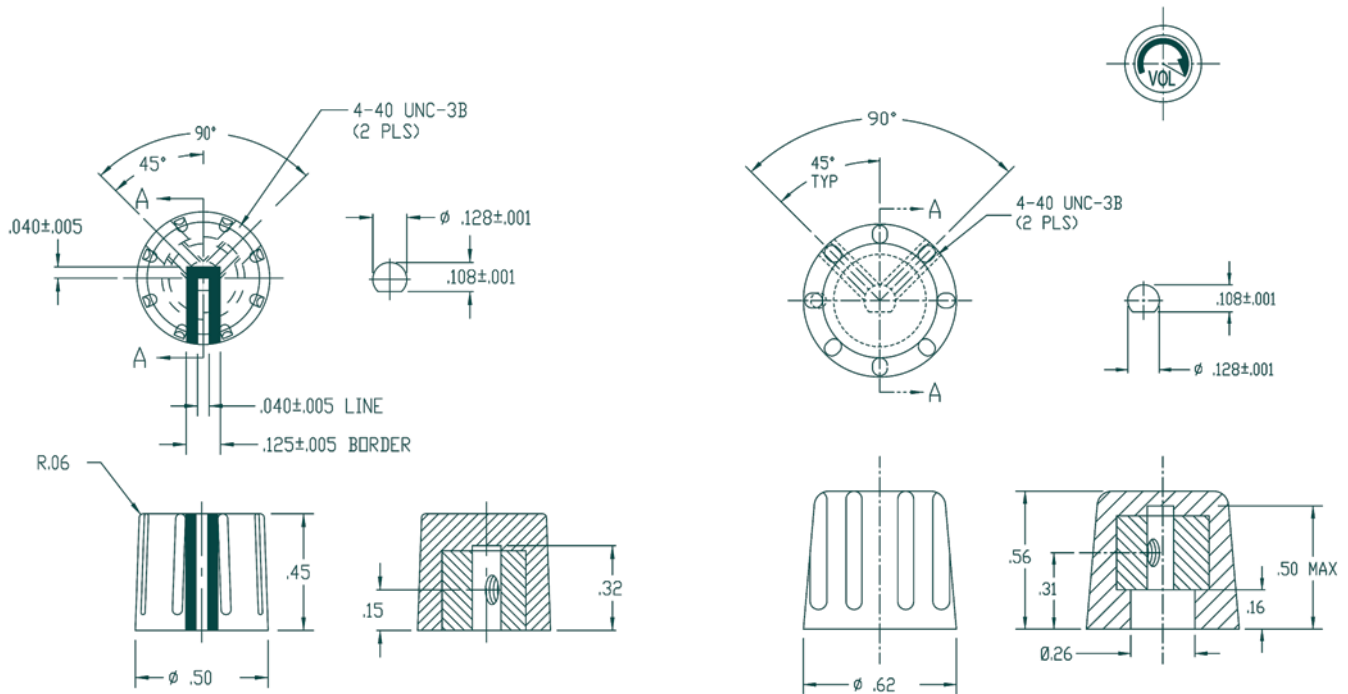


TRANSILLUMINATED

CRK SERIES



29-01062



29-01066

CRK SERIES

Style Number	A Base Diameter	B Height	C Nut Clearance Diameter		D Nut Clearance Depth	E Set Screw	F Shaft Hole Height	N Number of Flutes	Set Screws	
			1/8	1/4					1/8	1/4
29-01062	0.50	0.45	—	—	—	0.15	0.32	8	MS51021-101	MS51021-131
29-01066	0.62	0.56	0.26	0.26	0.16	0.31	0.50	8	MS51021-102	MS51021-131

Design Variations

- Set screw locations can vary
- Markings and color can vary (see page 4T)
- Nut clearance depth and diameter can vary
- See part number system for shaft hole designation

Detailed drawings are available for each style

All of our backlighted knobs can be manufactured for night vision use. Our night vision knobs meet NVIS "Green A" requirements.



ELECTRONIC HARDWARE CORPORATION

1881 Lakeland Avenue, Ronkonkoma, NY 11779

PHONE: 631.752.1950

WWW.EHCKNOBS.COM

EMAIL: SALES@EHCKNOBS.COM

1-800-752-1680